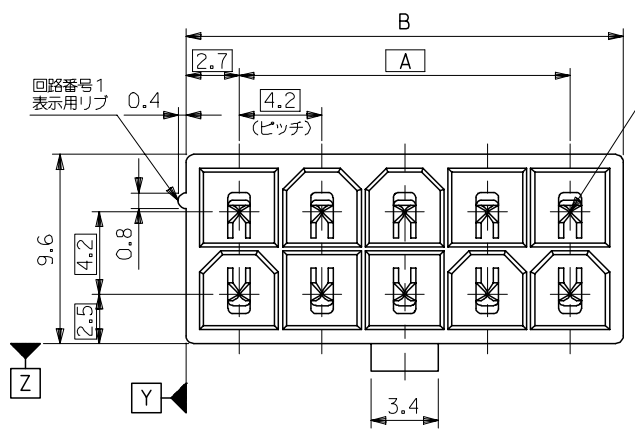
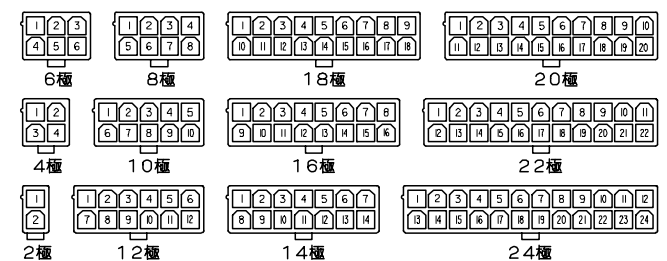


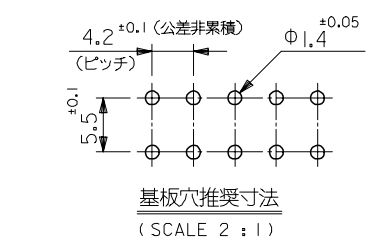
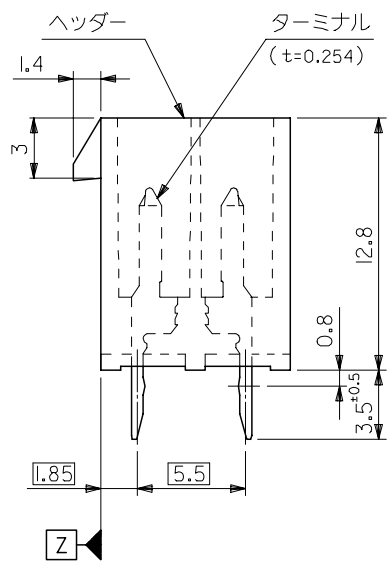
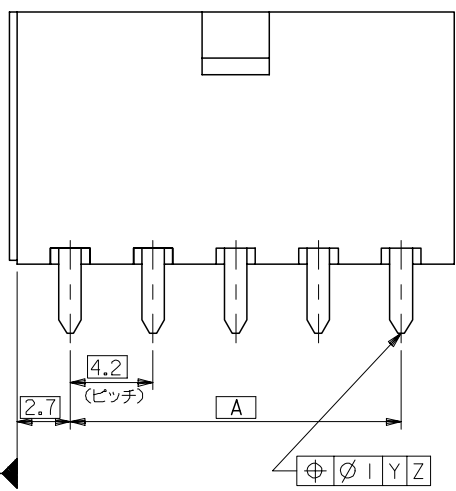
10 9 8 7 6 5 4 3 2 1



51.6	46.2	24
47.4	42	22
43.2	37.8	20
39	33.6	18
34.8	29.4	16
30.6	25.2	14
26.4	21	12
22.2	16.8	10
18	12.6	8
13.8	8.4	6
9.6	4.2	4
5.4	—	2
寸法 B	寸法 A	極数



極数別レイアウト図  
(SCALE 1:1)



基板穴推奨寸法  
(SCALE 2:1)

注記

1. 嵌合相手: 5557シリーズ
  2. 使用符号の説明
- 5566 - N A \* \* - \* - \*
- ベースナンバー \_\_\_\_\_
- 極数 \_\_\_\_\_
- アッセンブリー \_\_\_\_\_
- ターミナル材料 \_\_\_\_\_
- "BLANK": 黄銅  
PB: リン青銅
- ターミナルのメッキ \_\_\_\_\_
- "BLANK": 錫メッキ 0.9μm MIN.  
GS: ニッケル 1.27μm MIN. 全面下地  
コンタクト部 金 0.76μm MIN.  
半田付け部 錫 2.54μm MIN.
- ヘッダー材料 \_\_\_\_\_
- "BLANK": ナイロン 66, UL 94V-2  
210: ナイロン 66, UL 94V-0  
400: ナイロン 66, UL 94V-0, 黒
- 色
- BL: 黒色  
BU: 青色  
RE: 赤色  
YE: 黄色  
GR: 灰色

5566-NA\*\*-\*\*-\*\*  
MODEL NO.

REVISED EC NO: J2006-2418 DRW: NABEI 2006/01/30 CHK: KYOYODA 2006/02/03 APP: NUKITA 2006/02/06	GENERAL TOLERANCES (UNLESS SPECIFIED)		DIMENSION STYLE MM ONLY	SCALE 4:1	DESIGN UNITS METRIC	THIRD ANGLE PROJECTION
	10 UNDER	±0.2	DRAWN BY H. HIRAMOTO	DATE '89/05/07	TITLE NEW MINI FIT CONNECTOR HEADER ASS'Y -LEAD FREE-	
	10 OVER 30 UNDER	±0.3	CHECKED BY M. FUKUSHIMA	DATE '91/10/29	MOLEX INCORPORATED	
	30 OVER	±0.4	APPROVED BY M. ENOMOTO	DATE '91/10/29	DOCUMENT NO. SD-5566-003	SHEET NO. 1 OF 3
	ANGULAR	±3 °	MATERIAL NO. SEE CHART	THIS DRAWING CONTAINS INFORMATION THAT IS PROPRIETARY TO MOLEX INCORPORATED AND SHOULD NOT BE USED WITHOUT WRITTEN PERMISSION		
	DRAFT WHERE APPLICABLE MUST REMAIN WITHIN DIMENSIONS		SIZE A3			

10 9 8 7 6 5 4 3 2 1

F

E

D

C

B

A

39-35-0248	5566-24A-400	24
▲ -0228	▲ -22A-400	22
-0208	-20A-400	20
-0188	-18A-400	18
-0168	-16A-400	16
-0148	-14A-400	14
-0128	-12A-400	12
-0108	-10A-400	10
-0088	-08A-400	8
-0068	-06A-400	6
▼ -0048	▼ -04A-400	4
39-35-0028	5566-02A-400	2
EDP NO.	ENG. NO.	極数
5566-NA-400		

39-29-5247	5566-24APB-210	39-29-6248	5566-24AGS-210	39-28-8240	5566-24A-210	24
▲ -5227	▲ -22APB-210	▲ -6228	▲ -22AGS-210	▲ -8220	▲ -22A-210	22
-5207	-20APB-210	-6208	-20AGS-210	-8200	-20A-210	20
-5187	-18APB-210	-6188	-18AGS-210	-8180	-18A-210	18
-5167	-16APB-210	-6168	-16AGS-210	-8160	-16A-210	16
-5147	-14APB-210	-6148	-14AGS-210	-8140	-14A-210	14
-5127	-12APB-210	-6128	-12AGS-210	-8120	-12A-210	12
-5107	-10APB-210	-6108	-10AGS-210	-8100	-10A-210	10
-5087	-08APB-210	-6088	-08AGS-210	-8080	-08A-210	8
-5067	-06APB-210	-6068	-06AGS-210	-8060	-06A-210	6
▼ -5047	▼ -04APB-210	▼ -6048	▼ -04AGS-210	▼ -8040	▼ -04A-210	4
39-29-5027	5566-02APB-210	39-29-6028	5566-02AGS-210	39-28-8020	5566-02A-210	2
EDP NO.	ENG. NO.	EDP NO.	ENG. NO.	EDP NO.	ENG. NO.	極数
5566-NAPB-210		5566-NAGS-210		5566-NA-210		
39-29-5246	5566-24APB	39-29-0243	5566-24AGS	39-28-1243	5566-24A	24
▲ -5226	▲ -22APB	▲ -0223	▲ -22AGS	▲ -1223	▲ -22A	22
-5206	-20APB	-0203	-20AGS	-1203	-20A	20
-5186	-18APB	-0183	-18AGS	-1183	-18A	18
-5166	-16APB	-0163	-16AGS	-1163	-16A	16
-5146	-14APB	-0143	-14AGS	-1143	-14A	14
-5126	-12APB	-0123	-12AGS	-1123	-12A	12
-5106	-10APB	-0103	-10AGS	-1103	-10A	10
-5086	-08APB	-0083	-08AGS	-1083	-08A	8
-5066	-06APB	-0063	-06AGS	-1063	-06A	6
▼ -5046	▼ -04APB	▼ -0043	▼ -04AGS	▼ -1043	▼ -04A	4
39-29-5026	5566-02APB	39-29-0023	5566-02AGS	39-28-1023	5566-02A	2
EDP NO.	ENG. NO.	EDP NO.	ENG. NO.	EDP NO.	ENG. NO.	極数
5566-NAPB		5566-NAGS		5566-NA		

REVISED EC NO: J2006-2418 DRWN: NABEI 2006/01/30 CHKD: KTOYODA 2006/02/03 APPR: NUKITA 2006/02/06	GENERAL TOLERANCES (UNLESS SPECIFIED)		DIMENSION STYLE MM ONLY		SCALE ---	DESIGN UNITS METRIC	THIRD ANGLE PROJECTION	
	10 UNDER	± ---	DRAWN BY H.HIRAMOTO	DATE '89/05/07	TITLE NEW MINI FIT CONNECTOR HEADER ASS'Y -LEAD FREE-			
	10 OVER 30 UNDER	± ---	CHECKED BY M.FUKUSHIMA	DATE '91/10/29				
	30 OVER	± ---	APPROVED BY M.ENOMOTO	DATE '91/10/29	MOLEX INCORPORATED			
ANGULAR	± --- °	MATERIAL NO. SEE CHART		DOCUMENT NO. SD-5566-003				
DRAFT WHERE APPLICABLE MUST REMAIN WITHIN DIMENSIONS		SIZE A3	THIS DRAWING CONTAINS INFORMATION THAT IS PROPRIETARY TO MOLEX INCORPORATED AND SHOULD NOT BE USED WITHOUT WRITTEN PERMISSION					

10 9 8 7 6 5 4 3 2 1

F

E

D

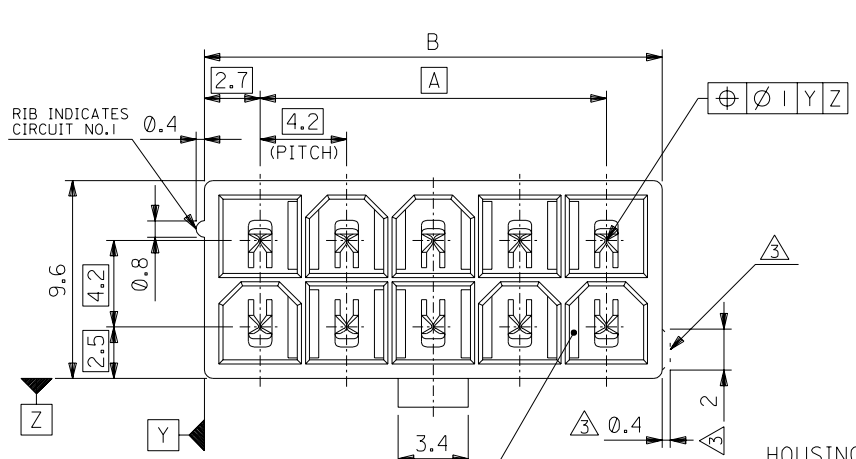
C

B

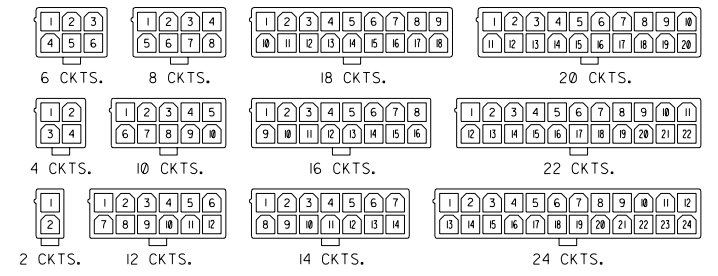
A

									24
									22
									20
									18
					39-33-3169	5566-16A-210-BU	39-33-3168	5566-16A-210-BL	16
									14
									12
			39-33-4100	5566-10A-210-RE	39-33-3109	5566-10A-210-BU	39-33-3108	5566-10A-210-BL	10
							39-33-3088	5566-08A-210-BL	8
									6
			39-33-4040	5566-04A-210-RE	39-33-3049	5566-04A-210-BU			4
39-34-5023	5566-02A-210-YE	39-33-4020	5566-02A-210-RE	39-33-3029	5566-02A-210-BU	39-33-3028	5566-02A-210-BL		2
EDP. NO.	ENG. NO.	EDP. NO.	ENG. NO.	EDP. NO.	ENG. NO.	EDP. NO.	ENG. NO.		極数
5566-NA-210-YE		5566-NA-210-RE		5566-NA-210-BU		5566-NA-210-BL			
									24
									22
									20
									18
39-33-3145	5566-14A-GR			39-33-3166	5566-16A-RE	39-33-3164	5566-16A-BU		16
				39-33-3126	5566-12A-RE	39-33-3124	5566-12A-BU	39-33-3143	5566-14A-BL
				39-33-3106	5566-10A-RE	39-33-3104	5566-10A-BU		14
				39-33-3087	5566-08A-YE	39-33-3086	5566-08A-RE	39-33-3084	5566-08A-BU
				39-33-3067	5566-06A-YE	39-33-3066	5566-06A-RE	39-33-3064	5566-06A-BU
				39-33-3046	5566-04A-RE	39-33-3044	5566-04A-RE	39-33-3043	5566-04A-BL
				39-33-3026	5566-02A-RE	39-33-3024	5566-02A-BU	39-33-3023	5566-02A-BL
EDP. NO.	ENG. NO.	EDP. NO.	ENG. NO.	EDP. NO.	ENG. NO.	EDP. NO.	ENG. NO.	EDP. NO.	ENG. NO.
5566-NA-GR		5566-NA-YE		5566-NA-RE		5566-NA-BU		5566-NA-BL	
									極数

REVISED EC NO: J2006-2418 DRWN: NABEI 2006/01/30 CHKD: KTOYODA 2006/02/03 APPR: NUKITA 2006/02/06	GENERAL TOLERANCES (UNLESS SPECIFIED)		DIMENSION STYLE MM ONLY		SCALE ---	DESIGN UNITS METRIC	THIRD ANGLE PROJECTION	
	10 UNDER	± ---	DRAWN BY H. HIRAMOTO	DATE '89/05/07	TITLE NEW MINI FIT CONNECTOR HEADER ASS'Y -LEAD FREE-			
	10 OVER 30 UNDER	± ---	CHECKED BY M. FUKUSHIMA	DATE '91/10/29				
	30 OVER	± ---	APPROVED BY M. ENOMOTO	DATE '91/10/29	MOLEX INCORPORATED DOCUMENT NO. SD-5566-003 SHEET NO. 3 OF 3			
	ANGULAR	± --- °	MATERIAL NO.					
DRAFT WHERE APPLICABLE MUST REMAIN WITHIN DIMENSIONS		SEE CHART		THIS DRAWING CONTAINS INFORMATION THAT IS PROPRIETARY TO MOLEX INCORPORATED AND SHOULD NOT BE USED WITHOUT WRITTEN PERMISSION				

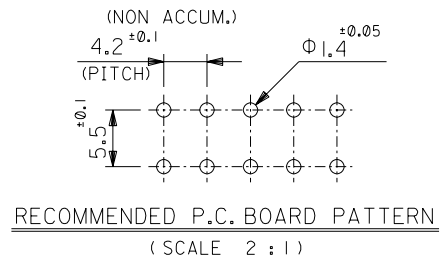
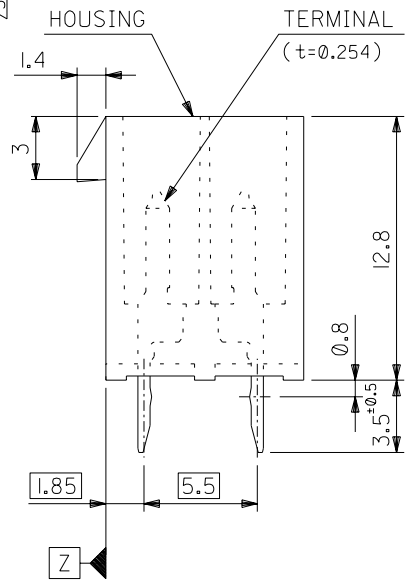
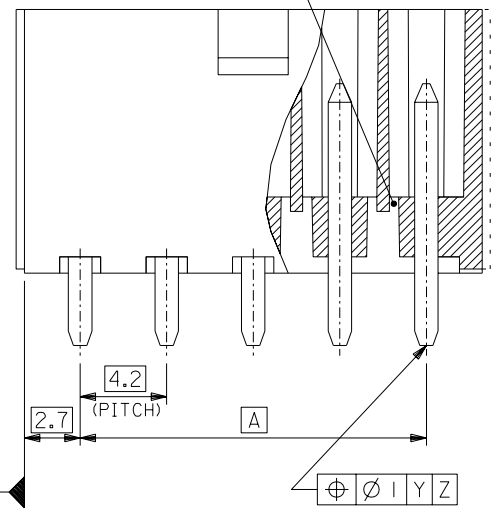


51.6	46.2	24
47.4	42	22
43.2	37.8	20
39	33.6	18
34.8	29.4	16
30.6	25.2	14
26.4	21	12
22.2	16.8	10
18	12.6	8
13.8	8.4	6
9.6	4.2	4
5.4	—	2
DIM. B	DIM. A	CKT. SIZE



CIRCUIT SIZE LAYOUT (SCALE 1:1)

DRAIN HOLES (OPTION : SEE NOTE 2)



RECOMMENDED P.C. BOARD PATTERN (SCALE 2:1)

NOTES

- MATE WITH : 5557 SERIES
  - LEGEND
    - BASE NUMBER 5566 - N \* \* \* - \*
    - CIRCUIT SIZE \_\_\_\_\_
    - ASS'Y TYPE \_\_\_\_\_
      - A : WITHOUT DRAIN HOLES
      - B : WITH DRAIN HOLES
    - TERMINAL MATERIAL \_\_\_\_\_
      - "BLANK" : BRASS
      - PB : PHOSPHOR BRONZE
    - TERMINAL PLATING \_\_\_\_\_
      - "BLANK" : BRIGHT TIN 0.9μm MIN. OVER COPPER 0.5μm MIN. (BRASS)
      - TIN 0.9μm MIN. REFLOW TREATMENT
      - OR BRIGHT TIN 0.9μm MIN. (PHOSPHOR BRONZE)
      - S : BRIGHT TIN 2.54μm MIN. OVER NICKEL 1.27μm MIN.
      - GS : SELECT GOLD 0.76μm MIN. AND SELECT PURE TIN 2.54μm MIN. OVER NICKEL 1.27μm MIN.
      - GS2 : SELECT GOLD 0.38μm MIN. AND SELECT PURE TIN 2.54μm MIN. OVER NICKEL 1.27μm MIN.
    - HOUSING MATERIAL \_\_\_\_\_
      - "BLANK" : NYLON 66, UL94V-2
      - 210 : NYLON 66, UL94V-0
      - 310 : G.F. 30% PCT, UL94V-0
      - 400 : NYLON 66, UL94V-0, BLACK
- △ EXTERNAL RIB APPEARS ON MX-USA PARTS ONLY.

5566-N****	J	REVISED (J2004-4416)	M,N K,T	04/5/25	材料 MATERIAL	SEE NOTE 2	MOLEX-JAPAN CO.,LTD. 日本モレックス株式会社
MODEL NO.	H	REVISED (J40308)	H,H M,F	94/4/19	仕上げ FINISH	SEE NOTE 2	
角度 ANGLE	±3°	G	REVISED (J10190)	H,H Y,Y	91/3/7	適用電線範囲 WIRE RANGE	REVISION 名称
30以上 OVER	±0.4	F	REVISED (J00638)	H,H Y,Y	90/6/8	被覆外径 INS. RANGE	NEW MINI FIT CONNECTOR
10以上 OVER 30未滿 UNDER	±0.3 ±0.25	E	REVISED (J90681)	H,H Y,Y	89/8/25		HEADER HOUSING ASS'Y
未滿 10 UNDER	±0.2	D	REVISED & REDRAWN (J90237)	H,H Y,Y	89/4/3	DRAWN BY '89/4/3 H.HIRAMOTO	-LEAD FREE-
一般公差 GENERAL TOLERANCES	記号 LTR	変更内容 REVISION RECORD	DR. CHK.	日付 DATE	尺度 SCALE	4 : 1	DWG. NO. SHEET 1 OF 4 REV

DWG. NO. SD-5566-N****-*	8		7		6		5		4		3		2		1			
	NOT TOOLED	5566-24APB-310	NOT TOOLED	5566-24AGS2-310	NOT TOOLED	5566-24AGS2-310	NOT TOOLED	5566-24AGS-310	NOT TOOLED	5566-24AGS-310	NOT TOOLED	5566-24AS-310	NOT TOOLED	5566-24A-310	24			
	↑	↑	↑	↑	↑	↑	↑	↑	↑	↑	↑	↑	↑	↑	22			
		-22APB-310		-22AGS2-310		-22AGS2-310		-22AGS-310		-22AGS-310		-22AS-310		-22A-310	20			
		-20APB-310		-20AGS2-310		-20AGS2-310		-20AGS-310		-20AGS-310		-20AS-310		-20A-310	18			
		-18APB-310		-18AGS2-310		-18AGS2-310		-18AGS-310		-18AGS-310		-18AS-310		-18A-310	16			
		-16APB-310		-16AGS2-310		-16AGS2-310		-16AGS-310		-16AGS-310		-16AS-310		-16A-310	14			
		-14APB-310		-14AGS2-310		-14AGS2-310		-14AGS-310		-14AGS-310		-14AS-310		-14A-310	12			
		-12APB-310		-12AGS2-310		-12AGS2-310		-12AGS-310		-12AGS-310		-12AS-310		-12A-310	10			
		-10APB-310		-10AGS2-310		-10AGS2-310		-10AGS-310		-10AGS-310		-10AS-310		-10A-310	8			
	-08APB-310		-08AGS2-310		-08AGS2-310		-08AGS-310		-08AGS-310		-08AS-310		-08A-310	6				
	-06APB-310		-06AGS2-310		-06AGS2-310		-06AGS-310		-06AGS-310		-06AS-310		-06A-310	4				
	-04APB-310		-04AGS2-310		-04AGS2-310		-04AGS-310		-04AGS-310		-04AS-310		-04A-310	2				
E	NOT TOOLED	5566-02APB-310	NOT TOOLED	5566-02AGS2-310	NOT TOOLED	5566-02AGS2-310	NOT TOOLED	5566-02AGS-310	NOT TOOLED	5566-02AGS-310	NOT TOOLED	5566-02AS-310	NOT TOOLED	5566-02A-310	CKT. SIZE			
	EDP NO.	ENG. NO.	EDP NO.	ENG. NO.	EDP NO.	ENG. NO.	EDP NO.	ENG. NO.	EDP NO.	ENG. NO.	EDP NO.	ENG. NO.	EDP NO.	ENG. NO.				
		5566-NAPB-310		5566-NAGS2-310		5566-NAGS-310		5566-NAS-310		5566-NA-310								
	39-29-5247	5566-24APB-210	39-30-9245	5566-24AGS2-210	39-29-6248	5566-24AGS-210	39-30-6242	5566-24AS-210	39-28-8240	5566-24A-210					24			
	↑	↑	↑	↑	↑	↑	↑	↑	↑	↑					22			
		-5227		-9225		-6228		-6222		-8220					20			
		-20APB-210		-20AGS2-210		-20AGS-210		-20AGS-210		-20AS-210					18			
		-5207		-9205		-6208		-6202		-8200					16			
		-5187		-9185		-6188		-6182		-8180					14			
		-5167		-9165		-6168		-6162		-8160					12			
	-5147		-9145		-6148		-6142		-8140					10				
	-5127		-9125		-6128		-6122		-8120					8				
	-5107		-9105		-6108		-6102		-8100					6				
	-5087		-9085		-6088		-6082		-8080					4				
	-5067		-9065		-6068		-6062		-8060									
	-5047		-9045		-6048		-6042		-8040									
	39-29-5027	5566-02APB-210	39-30-9025	5566-02AGS2-210	39-29-6028	5566-02AGS-210	39-30-6022	5566-02AS-210	39-28-8020	5566-02A-210								
	EDP NO.	ENG. NO.	EDP NO.	ENG. NO.	EDP NO.	ENG. NO.	EDP NO.	ENG. NO.	EDP NO.	ENG. NO.								
D		5566-NAPB-210		5566-NAGS2-210		5566-NAGS-210		5566-NAS-210		5566-NA-210								
	39-29-5246	5566-24APB	39-30-9244	5566-24AGS2	39-29-0243	5566-24AGS	39-30-6241	5566-24AS	39-28-1243	5566-24A					24			
	↑	↑	↑	↑	↑	↑	↑	↑	↑	↑					22			
		-5226		-9204		-0203		-6201		-1203					20			
		-5186		-9184		-0183		-6181		-1183					18			
		-5166		-9164		-0163		-6161		-1163					16			
		-5146		-9144		-0143		-6141		-1143					14			
		-5126		-9124		-0123		-6121		-1123					12			
		-5106		-9104		-0103		-6101		-1103					10			
		-5086		-9084		-0083		-6081		-1083					8			
	-5066		-9064		-0063		-6061		-1063					6				
	-5046		-9044		-0043		-6041		-1043					4				
	39-29-5026	5566-02APB	39-30-9024	5566-02AGS2	39-29-0023	5566-02AGS	39-30-6021	5566-02AS	39-28-1023	5566-02A								
	EDP NO.	ENG. NO.	EDP NO.	ENG. NO.	EDP NO.	ENG. NO.	EDP NO.	ENG. NO.	EDP NO.	ENG. NO.								
C		5566-NAPB		5566-NAGS2		5566-NAGS		5566-NAS		5566-NA								
		39-29-5246	5566-24APB	39-30-9244	5566-24AGS2	39-29-0243	5566-24AGS	39-30-6241	5566-24AS	39-28-1243	5566-24A							
	↑	↑	↑	↑	↑	↑	↑	↑	↑	↑					24			
		-5206		-9204		-0203		-6201		-1203					22			
		-5186		-9184		-0183		-6181		-1183					20			
		-5166		-9164		-0163		-6161		-1163					18			
		-5146		-9144		-0143		-6141		-1143					16			
		-5126		-9124		-0123		-6121		-1123					14			
		-5106		-9104		-0103		-6101		-1103					12			
		-5086		-9084		-0083		-6081		-1083					10			
	-5066		-9064		-0063		-6061		-1063					8				
	-5046		-9044		-0043		-6041		-1043					6				
	39-29-5026	5566-02APB	39-30-9024	5566-02AGS2	39-29-0023	5566-02AGS	39-30-6021	5566-02AS	39-28-1023	5566-02A								
	EDP NO.	ENG. NO.	EDP NO.	ENG. NO.	EDP NO.	ENG. NO.	EDP NO.	ENG. NO.	EDP NO.	ENG. NO.								
B		5566-NAPB		5566-NAGS2		5566-NAGS		5566-NAS		5566-NA								
		39-29-5246	5566-24APB	39-30-9244	5566-24AGS2	39-29-0243	5566-24AGS	39-30-6241	5566-24AS	39-28-1243	5566-24A							
	↑	↑	↑	↑	↑	↑	↑	↑	↑	↑					24			
		-5206		-9204		-0203		-6201		-1203					22			
		-5186		-9184		-0183		-6181		-1183					20			
		-5166		-9164		-0163		-6161		-1163					18			
		-5146		-9144		-0143		-6141		-1143					16			
		-5126		-9124		-0123		-6121		-1123					14			
		-5106		-9104		-0103		-6101		-1103					12			
		-5086		-9084		-0083		-6081		-1083					10			
	-5066		-9064		-0063		-6061		-1063					8				
	-5046		-9044		-0043		-6041		-1043					6				
	39-29-5026	5566-02APB	39-30-9024	5566-02AGS2	39-29-0023	5566-02AGS	39-30-6021	5566-02AS	39-28-1023	5566-02A								
	EDP NO.	ENG. NO.	EDP NO.	ENG. NO.	EDP NO.	ENG. NO.	EDP NO.	ENG. NO.	EDP NO.	ENG. NO.								
A		5566-NAPB		5566-NAGS2		5566-NAGS		5566-NAS		5566-NA								
		39-29-5246	5566-24APB	39-30-9244	5566-24AGS2	39-29-0243	5566-24AGS	39-30-6241	5566-24AS	39-28-1243	5566-24A							
	↑	↑	↑	↑	↑	↑	↑	↑	↑	↑					24			
		-5206		-9204		-0203		-6201		-1203					22			
		-5186		-9184		-0183		-6181		-1183					20			
		-5166		-9164		-0163		-6161		-1163					18			
		-5146		-9144		-0143		-6141		-1143					16			
		-5126		-9124		-0123		-6121		-1123					14			
		-5106		-9104		-0103		-6101		-1103					12			
		-5086		-9084		-0083		-6081		-1083					10			
	-5066		-9064		-0063		-6061		-1063					8				
	-5046		-9044		-0043		-6041		-1043					6				
	39-29-5026	5566-02APB	39-30-9024	5566-02AGS2	39-29-0023	5566-02AGS	39-30-6021	5566-02AS	39-28-1023	5566-02A								
	EDP NO.	ENG. NO.	EDP NO.	ENG. NO.	EDP NO.	ENG. NO.	EDP NO.	ENG. NO.	EDP NO.	ENG. NO.								
A											材料 MATERIAL		MOLEX-JAPAN CO.,LTD. 日本モレックス株式会社					
											SEE NOTE 2		REVISE ONLY ON CAD SYSTEM					
											SEE NOTE 2		TITLE 名称					
											仕上げ FINISH		NEW MINI FIT CONNECTOR					
											適用電線範囲 WIRE RANGE		HEADER HOUSING ASS'Y					
											被覆外径 INS. RANGE		-LEAD FREE-					
											DRAWN BY '89/4/3 H.HIRAMOTO		DWG. NO.					
											CHK'D BY '94/4/20 M.FUKUSHIMA		SHEET 2 OF 4					
											APP'D BY '94/4/20 M.FUKUSHIMA		REV					
	</																	

8		7		6		5		4		3		2		1	
DWG. NO. SD-5566-N****-*	NOT TOOLED	5566-24BGS2-310	NOT TOOLED	5566-24BGS-310	NOT TOOLED	5566-24BS-310	NOT TOOLED	5566-24B-310	NOT TOOLED	5566-24B-310	NOT TOOLED	5566-24APBS-310	24		
	↑	↑	↑	↑	↑	↑	↑	↑	↑	↑	↑	↑	22		
		-22BGS2-310		-22BGS-310		-22BS-310		-22B-310		-22B-310		-22APBS-310	20		
		-20BGS2-310		-20BGS-310		-20BS-310		-20B-310		-20B-310		-20APBS-310	18		
		-18BGS2-310		-18BGS-310		-18BS-310		-18B-310		-18B-310		-18APBS-310	16		
		-16BGS2-310		-16BGS-310		-16BS-310		-16B-310		-16B-310		-16APBS-310	14		
		-14BGS2-310		-14BGS-310		-14BS-310		-14B-310		-14B-310		-14APBS-310	12		
		-12BGS2-310		-12BGS-310		-12BS-310		-12B-310		-12B-310		-12APBS-310	10		
		-10BGS2-310		-10BGS-310		-10BS-310		-10B-310		-10B-310		-10APBS-310	8		
		-08BGS2-310		-08BGS-310		-08BS-310		-08B-310		-08B-310		-08APBS-310	6		
	-06BGS2-310		-06BGS-310		-06BS-310		-06B-310		-06B-310		-06APBS-310	4			
	-04BGS2-310		-04BGS-310		-04BS-310		-04B-310		-04B-310		-04APBS-310	2			
	↓	↓	↓	↓	↓	↓	↓	↓	↓	↓	↓	↓	2		
	EDP NO.	ENG. NO.	EDP NO.	ENG. NO.	EDP NO.	ENG. NO.	EDP NO.	ENG. NO.	EDP NO.	ENG. NO.	EDP NO.	ENG. NO.	CKT. SIZE		
	5566-NBGS2-310	5566-NBGS-310	5566-NBS-310	5566-NB-310	5566-NAPBS-310										
	39-30-9247	5566-24BGS2-210	39-31-0248	5566-24BGS-210	39-31-0242	5566-24BS-210	39-31-0240	5566-24B-210	39-30-6244	5566-24APBS-210	24				
	↑	↑	↑	↑	↑	↑	↑	↑	↑	↑	↑	22			
	-9227	-22BGS2-210	-0228	-22BGS-210	-0222	-22BS-210	-0220	-22B-210	-6224	-22APBS-210	20				
	-9207	-20BGS2-210	-0208	-20BGS-210	-0202	-20BS-210	-0200	-20B-210	-6204	-20APBS-210	18				
	-9187	-18BGS2-210	-0188	-18BGS-210	-0182	-18BS-210	-0180	-18B-210	-6184	-18APBS-210	16				
	-9167	-16BGS2-210	-0168	-16BGS-210	-0162	-16BS-210	-0160	-16B-210	-6164	-16APBS-210	14				
	-9147	-14BGS2-210	-0148	-14BGS-210	-0142	-14BS-210	-0140	-14B-210	-6144	-14APBS-210	12				
	-9127	-12BGS2-210	-0128	-12BGS-210	-0122	-12BS-210	-0120	-12B-210	-6124	-12APBS-210	10				
	-9107	-10BGS2-210	-0108	-10BGS-210	-0102	-10BS-210	-0100	-10B-210	-6104	-10APBS-210	8				
	-9087	-08BGS2-210	-0088	-08BGS-210	-0082	-08BS-210	-0080	-08B-210	-6084	-08APBS-210	6				
	-9067	-06BGS2-210	-0068	-06BGS-210	-0062	-06BS-210	-0060	-06B-210	-6064	-06APBS-210	4				
	-9047	-04BGS2-210	-0048	-04BGS-210	-0042	-04BS-210	-0040	-04B-210	-6044	-04APBS-210	2				
	↓	↓	↓	↓	↓	↓	↓	↓	↓	↓	↓	2			
	39-30-9027	5566-02BGS2-210	39-31-0028	5566-02BGS-210	39-31-0022	5566-02BS-210	39-31-0020	5566-02B-210	39-30-6024	5566-02APBS-210	24				
	EDP NO.	ENG. NO.	EDP NO.	ENG. NO.	EDP NO.	ENG. NO.	EDP NO.	ENG. NO.	EDP NO.	ENG. NO.	CKT. SIZE				
	5566-NBGS2-210	5566-NBGS-210	5566-NBS-210	5566-NB-210	5566-NAPBS-210										
	39-30-9246	5566-24BGS2	39-31-0247	5566-24BGS	39-31-0241	5566-24BS	39-29-3246	5566-24B	39-30-6243	5566-24APBS	24				
	↑	↑	↑	↑	↑	↑	↑	↑	↑	↑	22				
	-9226	-22BGS2	-0227	-22BGS	-0221	-22BS	-3226	-22B	-6223	-22APBS	20				
	-9206	-20BGS2	-0207	-20BGS	-0201	-20BS	-3206	-20B	-6203	-20APBS	18				
	-9186	-18BGS2	-0187	-18BGS	-0181	-18BS	-3186	-18B	-6183	-18APBS	16				
	-9166	-16BGS2	-0164	-16BGS	-0161	-16BS	-3166	-16B	-6163	-16APBS	14				
	-9146	-14BGS2	-0147	-14BGS	-0141	-14BS	-3146	-14B	-6143	-14APBS	12				
	-9126	-12BGS2	-0127	-12BGS	-0121	-12BS	-3126	-12B	-6123	-12APBS	10				
	-9106	-10BGS2	-0107	-10BGS	-0101	-10BS	-3106	-10B	-6103	-10APBS	8				
	-9086	-08BGS2	-0087	-08BGS	-0081	-08BS	-3086	-08B	-6083	-08APBS	6				
	-9066	-06BGS2	-0067	-06BGS	-0061	-06BS	-3066	-06B	-6063	-06APBS	4				
	-9046	-04BGS2	-0047	-04BGS	-0041	-04BS	-3046	-04B	-6043	-04APBS	2				
	↓	↓	↓	↓	↓	↓	↓	↓	↓	↓	2				
	39-30-9026	5566-02BGS2	39-31-0027	5566-02BGS	39-31-0021	5566-02BS	39-29-3026	5566-02B	39-30-6023	5566-02APBS	24				
	EDP NO.	ENG. NO.	EDP NO.	ENG. NO.	EDP NO.	ENG. NO.	EDP NO.	ENG. NO.	EDP NO.	ENG. NO.	CKT. SIZE				
	5566-NBGS2	5566-NBGS	5566-NBS	5566-NB	5566-NAPBS										

DIMENSIONS IN METRIC DO NOT SCALE DRAWING

5566-N****		J	SEE SHEET 1 OF 4	M,N K,T	04/5/25	材料 MATERIAL	SEE NOTE 2	 MOLEX-JAPAN CO.,LTD. 日本モレックス株式会社
MODEL NO.	H	SEE SHEET 1 OF 4	H,H M,F	94/4/19	仕上げ FINISH	SEE NOTE 2	REVISE ONLY ON CAD SYSTEM	
角度 ANGLE	30°	G	SEE SHEET 1 OF 4	H,H Y,Y	91/3/7	適用電線範囲 WIRE RANGE	—	TITLE 名称
30°以上 OVER	+0.3	F	SEE SHEET 1 OF 4	H,H Y,Y	90/6/8	被覆外径 INS. RANGE	—	NEW MINI FIT CONNECTOR HEADER HOUSING ASS'Y -LEAD FREE-
10°以上 OVER	+0.25	E	SEE SHEET 1 OF 4	H,H Y,Y	89/8/25			
未滿 UNDER	+0.2	D	SEE SHEET 1 OF 4	H,H Y,Y	89/4/3	DRAWN BY '89/4/3 H.HIRAMOTO	CHK'D BY '94/4/20 M.FUKUSHIMA	DWG. NO. SHEET 3 OF 4
一般公差 GENERAL TOLERANCES						APP'D BY '94/4/20 M.FUKUSHIMA	尺度 SCALE	REV
		記号 LTR	変更内容 REVISION RECORD	日付 DATE	DR. CHK.			SD-5566-N****

DWG. NO.  
SD-5566-N\*\*\*\*-

E

D

C

B

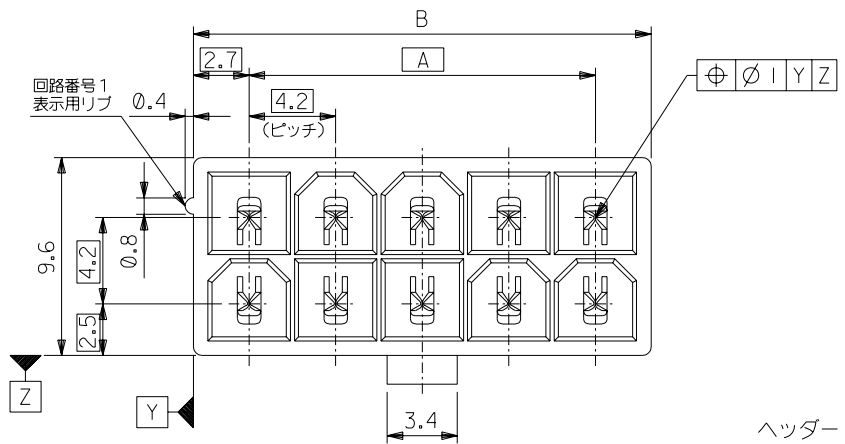
A

DIMENSIONS IN METRIC DO NOT SCALE DRAWING

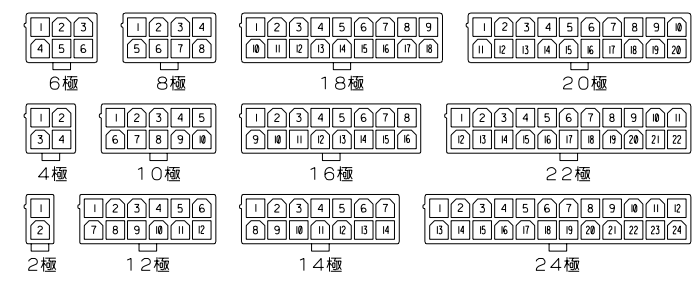
8		7		6		5		4		3		2		1	
NOT	TOOLED	5566-24BPBS-310	NOT	TOOLED	5566-24BPB-310	24	NOT	TOOLED	5566-24BPB-310	24	NOT	TOOLED	5566-24BPB-310	24	
	▲	▲		▲	▲	22		▲	▲	22		▲	▲	22	
		-22BPBS-310			-22BPB-310	20			-20BPB-310	18			-18BPB-310	16	
		-20BPBS-310			-18BPB-310	14			-16BPB-310	12			-14BPB-310	10	
		-18BPBS-310			-16BPB-310	8			-12BPB-310	6			-10BPB-310	4	
		-16BPBS-310			-10BPB-310	8			-08BPB-310	6			-06BPB-310	4	
		-14BPBS-310			-08BPB-310	6			-06BPB-310	4			-04BPB-310	2	
		-12BPBS-310			-06BPB-310	4			-04BPB-310	2					
		-10BPBS-310			-04BPB-310	2									
		-08BPBS-310													
		-06BPBS-310													
		-04BPBS-310													
	▼	▼		▼	▼	2		▼	▼	2		▼	▼	2	
		5566-02BPBS-310			5566-02BPB-310	24			5566-02BPB-310	24					
		EDP NO.			ENG. NO	CKT. SIZE			EDP NO.	ENG. NO					
		5566-NBPBS-310			5566-NBPB-310	24			5566-NBPB-310	24					
		39-31-0246			5566-24BPBS-210	22			39-31-0244	5566-24BPB-210	22				
	▲	▲		▲	▲	20		▲	▲	20		▲	▲	20	
		-0226			-22BPBS-210	18			-0224	-22BPB-210	18			-20BPB-210	
		-0206			-20BPBS-210	16			-0204	-20BPB-210	16			-18BPB-210	
		-0186			-18BPBS-210	14			-0184	-18BPB-210	14			-16BPB-210	
		-0166			-16BPBS-210	12			-0164	-16BPB-210	12			-14BPB-210	
		-0146			-14BPBS-210	10			-0144	-14BPB-210	10			-12BPB-210	
		-0126			-12BPBS-210	8			-0124	-12BPB-210	8			-10BPB-210	
		-0106			-10BPBS-210	6			-0104	-10BPB-210	6			-08BPB-210	
		-0086			-08BPBS-210	4			-0084	-08BPB-210	4			-06BPB-210	
		-0066			-06BPBS-210	2			-0064	-06BPB-210	2			-04BPB-210	
	▼	▼		▼	▼	2		▼	▼	2		▼	▼	2	
		-0046			-04BPBS-210	2			-0044	-04BPB-210	2				
		39-31-0026			5566-02BPBS-210	24			39-31-0024	5566-02BPB-210	24				
		EDP NO.			ENG. NO	CKT. SIZE			EDP NO.	ENG. NO					
		5566-NBPBS-210			5566-NBPB-210	24			5566-NBPB-210	24					
		39-35-0248			5566-24A-400	22			39-31-0245	5566-24BPBS	22			39-31-0243	5566-24BPB
	▲	▲		▲	▲	20		▲	▲	20		▲	▲	20	
		-0228			-22A-400	18			-0225	-22BPBS	18			-0223	-22BPB
		-0208			-20A-400	16			-0205	-20BPBS	16			-0203	-20BPB
		-0188			-18A-400	14			-0185	-18BPBS	14			-0183	-18BPB
		-0168			-16A-400	12			-0165	-16BPBS	12			-0163	-16BPB
		-0148			-14A-400	10			-0145	-14BPBS	10			-0143	-14BPB
		-0128			-12A-400	8			-0125	-12BPBS	8			-0123	-12BPB
		-0108			-10A-400	6			-0105	-10BPBS	6			-0103	-10BPB
		-0088			-08A-400	4			-0085	-08BPBS	4			-0083	-08BPB
		-0068			-06A-400	2			-0065	-06BPBS	2			-0063	-06BPB
	▼	▼		▼	▼	2		▼	▼	2		▼	▼	2	
		-0048			-04A-400	2			-0045	-04BPBS	2			-0043	-04BPB
		39-35-0028			5566-02A-400	24			39-31-0025	5566-02BPBS	24			39-31-0023	5566-02BPB
		EDP NO.			ENG. NO	CKT. SIZE			EDP NO.	ENG. NO				EDP NO.	ENG. NO
		5566-NA-400			5566-NBPBS	24			5566-NBPBS	24				5566-NBPB	24

39-35-0248	5566-24A-400	39-31-0245	5566-24BPBS	39-31-0243	5566-24BPB	24
▲ -0228	▲ -22A-400	▲ -0225	▲ -22BPBS	▲ -0223	▲ -22BPB	22
-0208	-20A-400	-0205	-20BPBS	-0203	-20BPB	20
-0188	-18A-400	-0185	-18BPBS	-0183	-18BPB	18
-0168	-16A-400	-0165	-16BPBS	-0163	-16BPB	16
-0148	-14A-400	-0145	-14BPBS	-0143	-14BPB	14
-0128	-12A-400	-0125	-12BPBS	-0123	-12BPB	12
-0108	-10A-400	-0105	-10BPBS	-0103	-10BPB	10
-0088	-08A-400	-0085	-08BPBS	-0083	-08BPB	8
-0068	-06A-400	-0065	-06BPBS	-0063	-06BPB	6
▼ -0048	▼ -04A-400	▼ -0045	▼ -04BPBS	▼ -0043	▼ -04BPB	4
39-35-0028	5566-02A-400	39-31-0025	5566-02BPBS	39-31-0023	5566-02BPB	2
EDP NO.	ENG. NO	EDP NO.	ENG. NO	EDP NO.	ENG. NO	CKT. SIZE
5566-NA-400		5566-NBPBS		5566-NBPB		

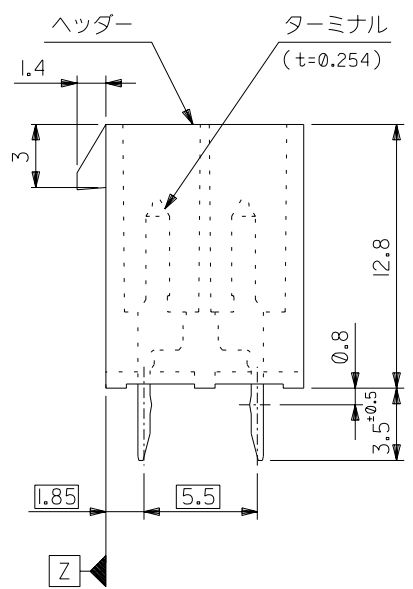
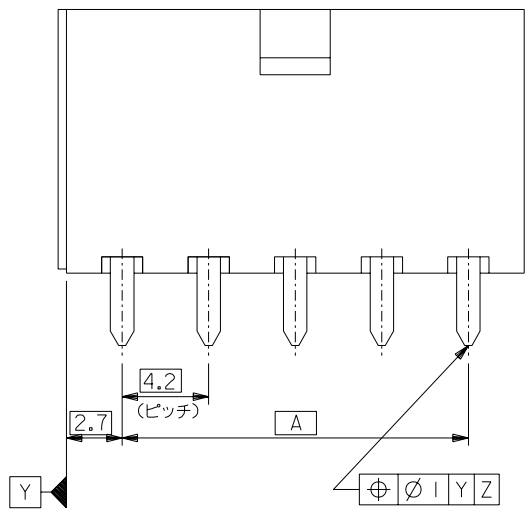
5566-N****-		J	SEE SHEET 1 OF 4	M,N K,T	04/5/25	材料 MATERIAL	SEE NOTE 2	MOLEX-JAPAN CO.,LTD. 日本モレックス株式会社
MODEL NO.	H	SEE SHEET 1 OF 4	H,L M,F	94/4/19	仕上げ FINISH	SEE NOTE 2	REVISE ONLY ON CAD SYSTEM	
角度 ANGLE	30	G	SEE SHEET 1 OF 4	H,L Y,Y	91/3/7	適用電線範囲 WIRE RANGE	TITLE 名称	
30 以上 OVER	+0.3	F	SEE SHEET 1 OF 4	H,L Y,Y	90/6/8	被覆外径 INS. RANGE	NEW MINI FIT CONNECTOR HEADER HOUSING ASS'Y -LEAD FREE-	
10 以上 30 未満 OVER UNDER	+0.25	E	SEE SHEET 1 OF 4	H,L Y,Y	89/8/25	DRAWN BY '89/4/3 H.HIRAMOTO	CHK'D BY '94/4/20 M.FUKUSHIMA	
10 未満 UNDER	+0.2	D	SEE SHEET 1 OF 4	H,L Y,Y	89/4/3	DR. 記号 LTR	DR. 変更内容 REVISION RECORD	
一般公差 GENERAL TOLERANCES				DR. 記号 LTR	DR. 変更内容 REVISION RECORD	DR. 日付 DATE	DR. 日付 DATE	



51.6	46.2	24
47.4	42	22
43.2	37.8	20
39	33.6	18
34.8	29.4	16
30.6	25.2	14
26.4	21	12
22.2	16.8	10
18	12.6	8
13.8	8.4	6
9.6	4.2	4
5.4	—	2
寸法 B	寸法 A	極数

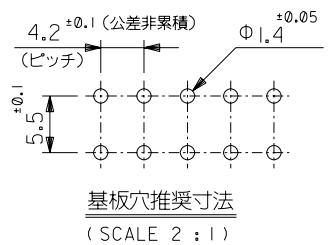


極数別レイアウト図  
(SCALE 1:1)



注 記

- 嵌合相手：5557シリーズ
- 使用符号の説明  
 ベースナンバー 5566 - N A \* \* - \*  
 極数 \_\_\_\_\_  
 アッセンブリ \_\_\_\_\_  
 ターミナル材料 \_\_\_\_\_  
 "BLANK"：黄銅  
 PB：リン青銅  
 ターミナルのメッキ \_\_\_\_\_  
 "BLANK"：錫メッキ 0.9μm MIN.  
 GS：ニッケル 1.27μm MIN. 全面下地  
 コンタクト部 金 0.76μm MIN.  
 半田付け部 錫 2.54μm MIN.  
 ヘッダー材料 \_\_\_\_\_  
 "BLANK"：ナイロン 66, UL 94V-2  
 210：ナイロン 66, UL 94V-0  
 400：ナイロン 66, UL 94V-0, 黒



5566-NA\*\*\*  
MODEL NO.

材料 MATERIAL		注記 2 参照		MOLEX-JAPAN CO.,LTD. 日本モレックス株式会社	
仕上げ FINISH		注記 2 参照		EDP. NO. SHEET 2 OF 2 参照	
角度 ANGLE	±3°	F 変更 (J2004-4431)	M.N. '04/5/26	適用電線範囲 WIRE RANGE	—
30以上 OVER	±0.4	E 変更 (J00638)	H.H. '90/6/8	被覆外径 INS. RANGE	—
10以上 OVER 30未満 UNDER	±0.3	D 変更&再作図 (J00510)	H.H. '90/5/7	DRAWN BY '89/5/7	CHK'D BY '91/10/29
10未満 UNDER	±0.2	記号 変更内容 REVISION RECORD	DR. CHK. 日付 DATE	APP'D BY '91/10/29	M.FUKUSHIMA
一般公差 GENERAL TOLERANCES	REVISION RECORD	REVISE ONLY ON CAD SYSTEM		M.ENOMOTO	
				TITLE 名称 NEW MINI FIT CONNECTOR HEADER ASS'Y -LEAD FREE-	



ENG. NO.  
SD-5566-NA\*\*\*

EDP NO.  
表 参照

MM DIMENSIONS IN METRIC DO NOT SCALE DRAWING

39-35-0248	5566-24A-400	24
▲ -0228	▲ -22A-400	22
-0208	-20A-400	20
-0188	-18A-400	18
-0168	-16A-400	16
-0148	-14A-400	14
-0128	-12A-400	12
-0108	-10A-400	10
-0088	-08A-400	8
-0068	-06A-400	6
▼ -0048	▼ -04A-400	4
39-35-0028	5566-02A-400	2
EDP NO.	ENG. NO	極数
5566-NA-400		極数

39-29-5247	5566-24APB-210	39-29-6248	5566-24AGS-210	39-28-8240	5566-24A-210	24
▲ -5227	▲ -22APB-210	▲ -6228	▲ -22AGS-210	▲ -8220	▲ -22A-210	22
-5207	-20APB-210	-6208	-20AGS-210	-8200	-20A-210	20
-5187	-18APB-210	-6188	-18AGS-210	-8180	-18A-210	18
-5167	-16APB-210	-6168	-16AGS-210	-8160	-16A-210	16
-5147	-14APB-210	-6148	-14AGS-210	-8140	-14A-210	14
-5127	-12APB-210	-6128	-12AGS-210	-8120	-12A-210	12
-5107	-10APB-210	-6108	-10AGS-210	-8100	-10A-210	10
-5087	-08APB-210	-6088	-08AGS-210	-8080	-08A-210	8
-5067	-06APB-210	-6068	-06AGS-210	-8060	-06A-210	6
▼ -5047	▼ -04APB-210	▼ -6048	▼ -04AGS-210	▼ -8040	▼ -04A-210	4
39-29-5027	5566-02APB-210	39-29-6028	5566-02AGS-210	39-28-8020	5566-02A-210	2
EDP NO.	ENG. NO	EDP NO.	ENG. NO	EDP NO.	ENG. NO	極数
5566-NAPB-210		5566-NAGS-210		5566-NA-210		極数
39-29-5246	5566-24APB	39-29-0243	5566-24AGS	39-28-1243	5566-24A	24
▲ -5226	▲ -22APB	▲ -0223	▲ -22AGS	▲ -1223	▲ -22A	22
-5206	-20APB	-0203	-20AGS	-1203	-20A	20
-5186	-18APB	-0183	-18AGS	-1183	-18A	18
-5166	-16APB	-0163	-16AGS	-1163	-16A	16
-5146	-14APB	-0143	-14AGS	-1143	-14A	14
-5126	-12APB	-0123	-12AGS	-1123	-12A	12
-5106	-10APB	-0103	-10AGS	-1103	-10A	10
-5086	-08APB	-0083	-08AGS	-1083	-08A	8
-5066	-06APB	-0063	-06AGS	-1063	-06A	6
▼ -5046	▼ -04APB	▼ -0043	▼ -04AGS	▼ -1043	▼ -04A	4
39-29-5026	5566-02APB	39-29-0023	5566-02AGS	39-28-1023	5566-02A	2
EDP NO.	ENG. NO	EDP NO.	ENG. NO	EDP NO.	ENG. NO	極数
5566-NAPB		5566-NAGS		5566-NA		極数

5566-NA***		材料 MATERIAL		注記 2 参照		MOLEX-JAPAN CO.,LTD. 日本モレックス株式会社	
MODEL NO.		仕上げ FINISH		注記 2 参照		EDP. NO. 表 参照	
角度 ANGLE	+3°	F	SEE SHEET 1 OF 2	M.N. K.T.	'04/5/26	適用電線範囲 WIRE RANGE	—H—
30 以上 OVER	+0.3	E	SEE SHEET 1 OF 2	H.H.	'90/6/8	被覆外径 INS. RANGE	
10 以上 OVER	+0.25	D	SEE SHEET 1 OF 2	H.H. Y.Y.	'90/5/7	DRAWN BY '90/5/7	CHK'D BY '91/10/29
10 未満 UNDER	+0.2	記号	変更内容 REVISION RECORD	DR. CHK.	日付 DATE	H.HIRAMOTO	M.FUKUSHIMA
一般公差 GENERAL TOLERANCES		REVISE ONLY ON CAD SYSTEM		APP'D BY '91/10/29	MENOMOTO	尺度 SCALE	—H—
				TITLE 名称		NEW MINI FIT CONNECTOR HEADER ASS'Y -LEAD FREE-	

5566-S22